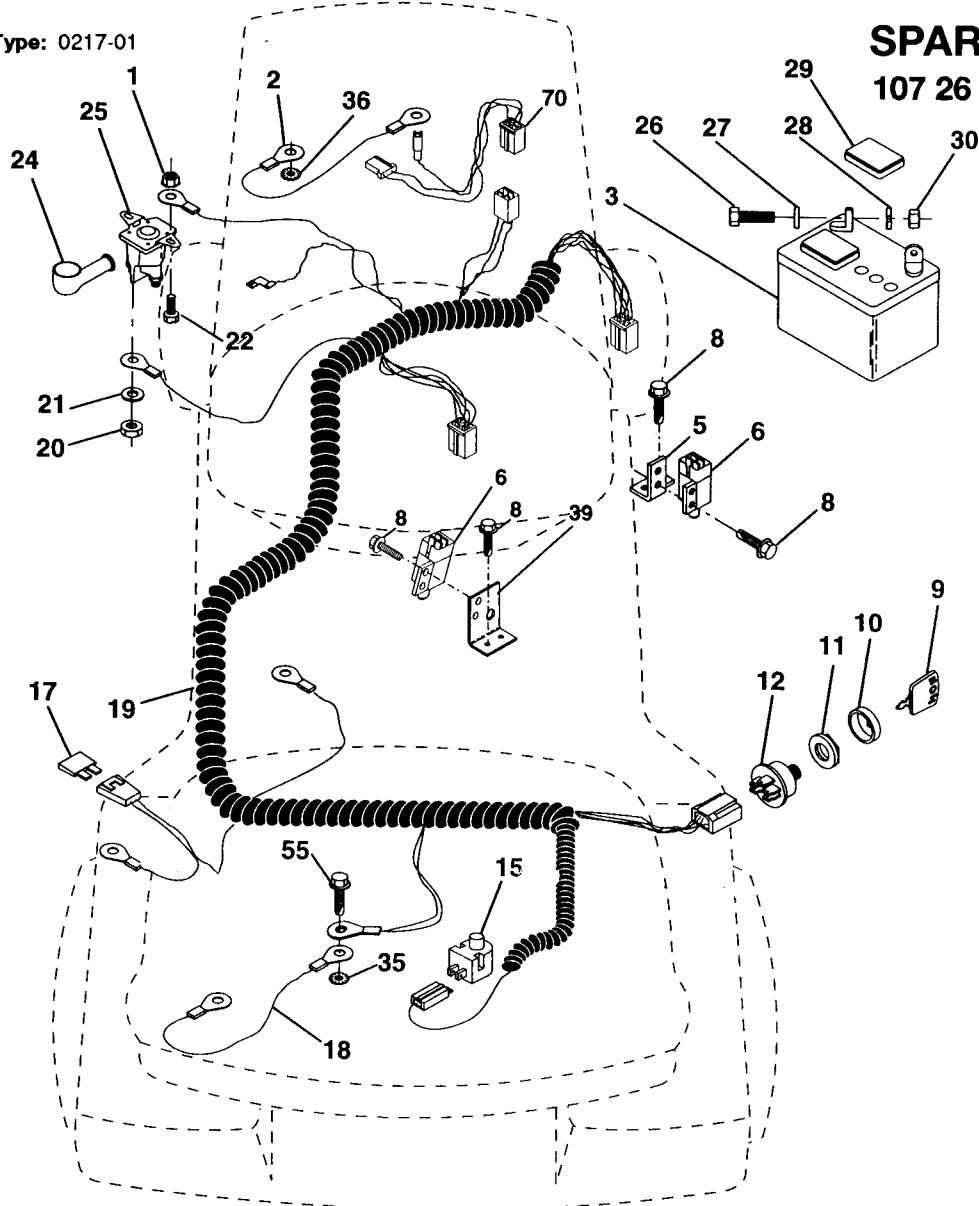


Mod.No: 954 00 12-81  
 Engine: B & S 283707 Type: 0217-01

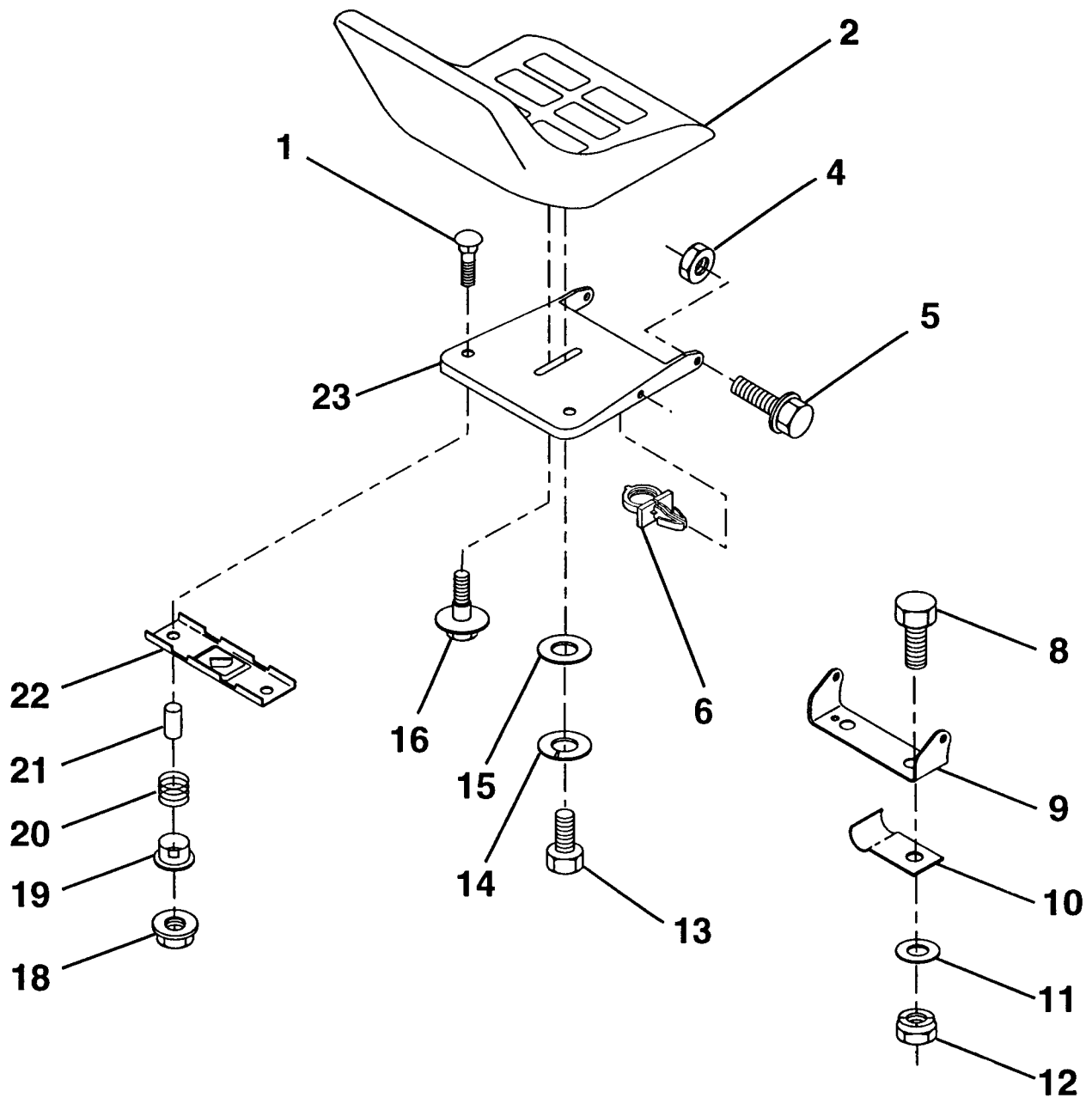
## SPAREPARTS 107 26 47-61



Key No.	Part No.	Description
1	8736804-00	Nut, Hex Keps 1/4-20
2	5321084-23	Assembly, Cable
3	5321238-88	Battery
5	5321082-36	Bracket, Switch
6	5321095-53	Switch, Interlock (4 Terminal)
8	8170210-08	Screw, Tap Hex Hd.
9	5321404-01	Key, Molded
10	5321236-20	Cover, Key Ignition
11	5321404-00	Nut, Ignition
12	5321403-99	Switch, Ignition
15	5321213-05	Switch, Plunger
17	5321088-24	Fuse
18	5321283-53	Assembly, Cable
19	5321404-10	Harness, Ignition
20	8732204-00	Nut, Hex Jam 1/4-20

Key No.	Part No.	Description
21	8100404-00	Washer, Lock 1/4
22	8747804-08	Bolt, Fin Hex 1/4-20 UNC x 1/2 Gr. 5
24	5321315-63	Cover, Terminal
25	5321099-46	Solenoid
26	8747604-12	Bolt, Hex Hd. 1/4-20 UNC x 3/4
27	7341153-01	Washer 9/32 x 5/8 x 16
28	8100404-00	Washer, Lock 1/4
29	5321212-64	Cap, Battery
30	8732204-00	Nut, Fin Hex 1/4-20 UNC
35	8100406-00	Washer, Lock, Ext. Tooth 3/8
36	8100404-00	Washer Lock 1/4 Ext.
39	5321417-35	Bracket Switch Clutch
55	8174905-08	Screw Thdrol 5/16 - 18 x 1/2
70	5321304-13	Harness Ignition

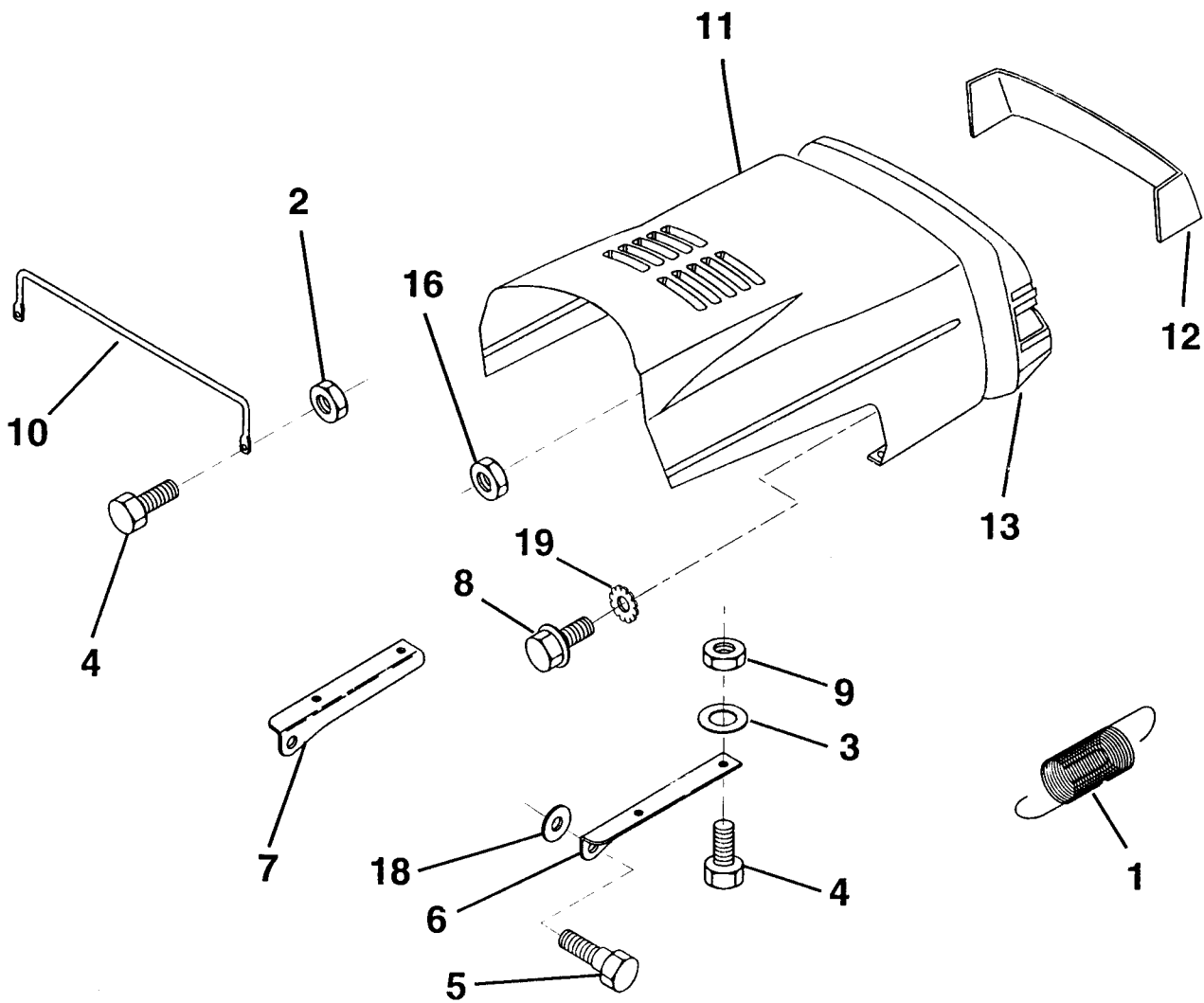
NOTE: All component dimensions given in U.S. inches.  
 1 inch = 25.4 mm



Key No.	Part No.	Description
1	8720504-11	Bolt, Carriage 1/4-20 x 1-1/4
2	5321274-23	Seat
4	8738005-00	Nut, Lock Hex w/Ins. 5/16-18
5	5321398-88	Bolt, Shoulder 5/16-18 UNC
6	5321404-07	Clip, Push-In
8	8747806-16	Bolt, Fin Hex 3/8-16 UNC x 1
9	5321405-51	Bracket, Pivot Seat
10	5321264-71	Clip Insulated
11	8191312-10	Washer 12/32 x 2 x 10 Ga.
12	8736806-00	Nut, Lock Hex w/Wsh 3/8-16 UNC

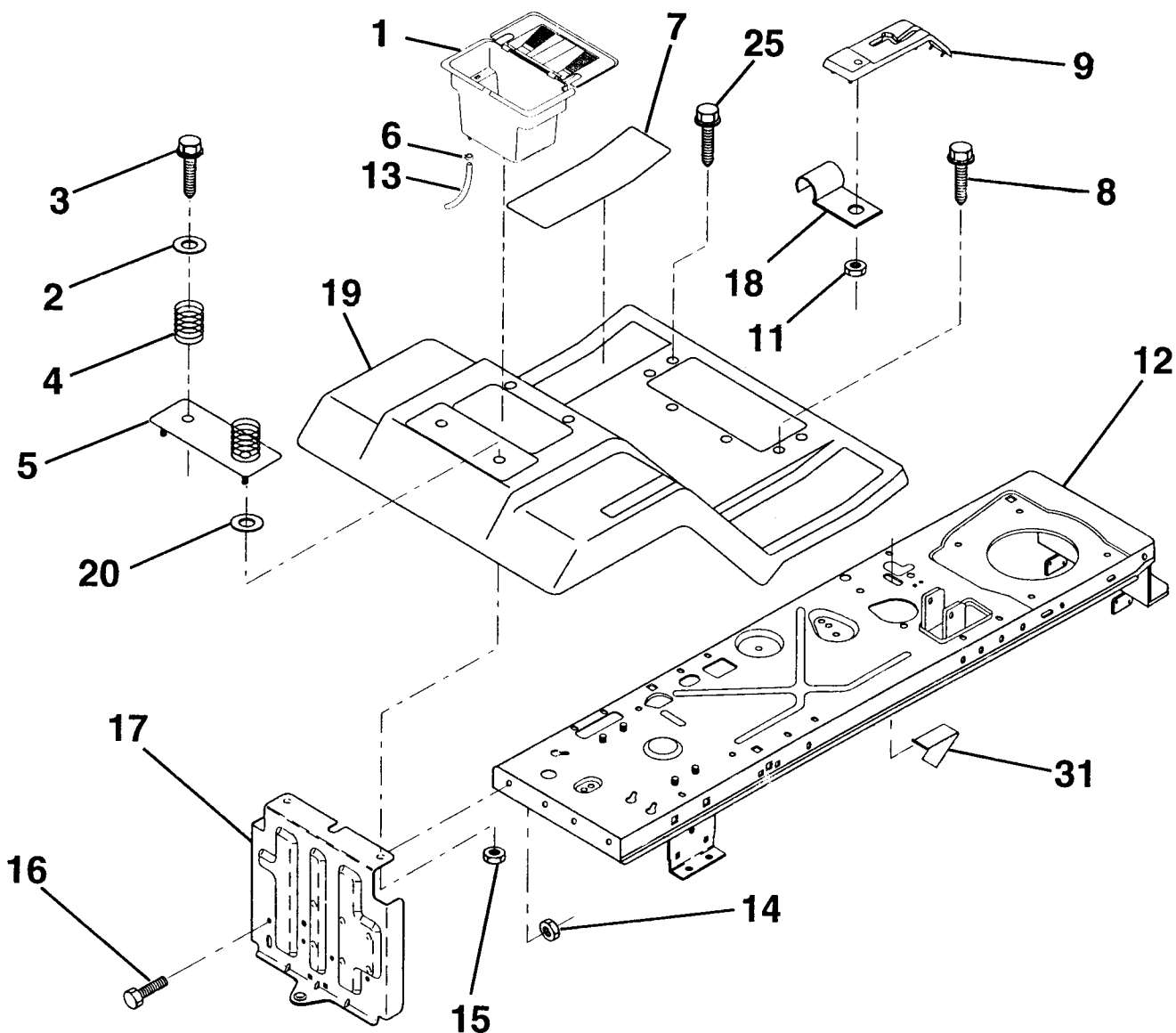
Key No.	Part No.	Description
13	8747808-14	Bolt, Fin Hex 1/2-13 UNC x 7/8 Gr. 5
14	8100408-00	Washer, Lock Hvy Helical Spring
15	8191719-12	Washer, 17/32 x 1-3/16 x 12 Ga.
16	5321270-18	Bolt, Shoulder
18	8736804-00	Nut, Hex Large Flange Lock
19	5321212-48	Bushing, Snap
20	5321212-50	Spring, Compression
21	5321343-00	Spacer, Split 28 Id. x .88 Lg.
22	5321212-46	Bracket, Switch Mounting
23	5321405-52	Pan, Seat

**NOTE:** All component dimensions given in U.S. inches.  
1 inch = 25.4 mm



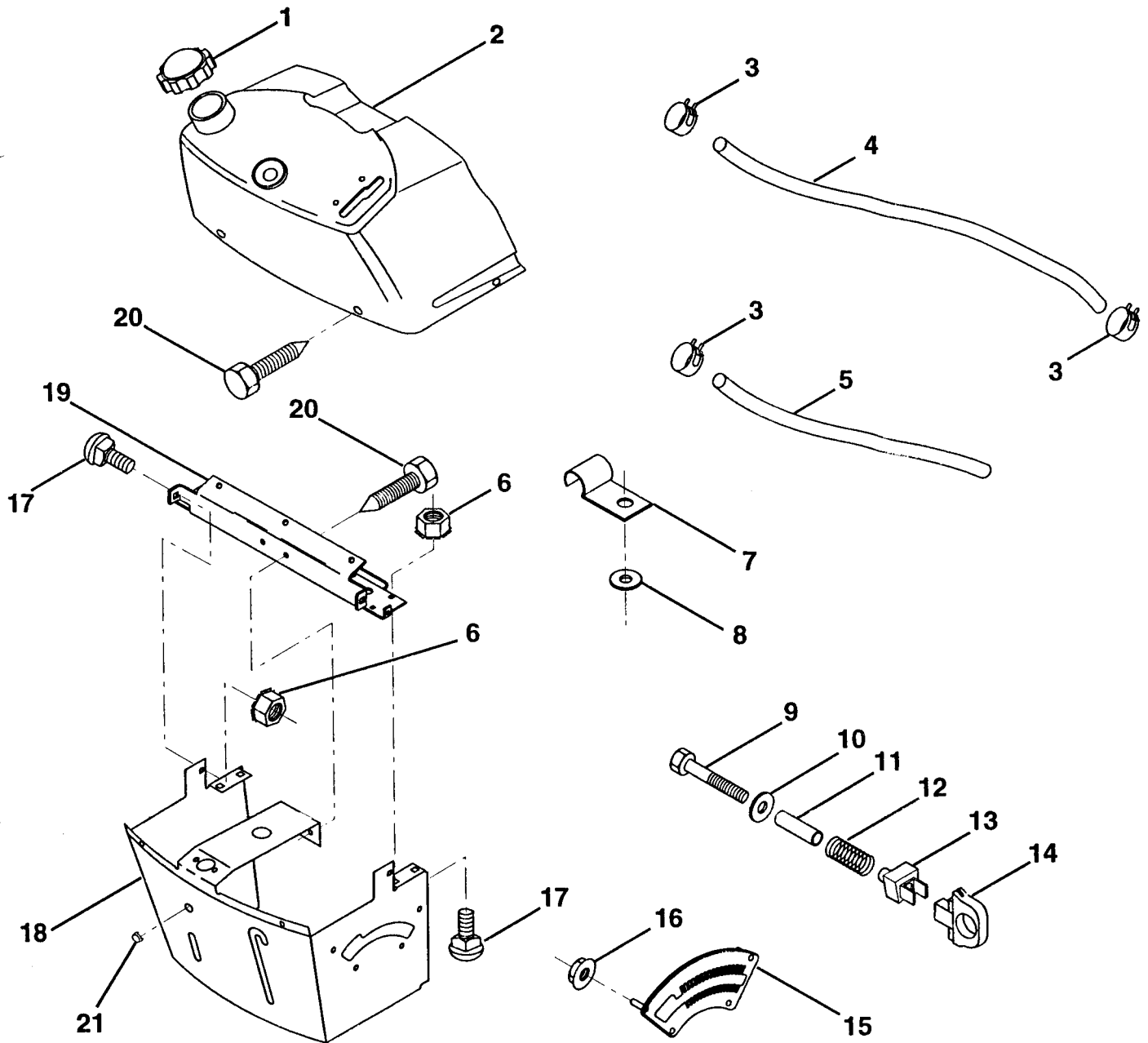
Key No.	Part No.	Description
1	5321246-57	Extension, Spring
2	8736804-00	Nut, Hex, Keps 1/4-20
3	8190914-16	Washer, 9/32 x 7/8 x 16 Ga.
4	8747604-12	Bolt, Hex Fin. 1/4-20 x 3/4 Gr. 5
5	5321266-75	Bolt , Shoulder
6	5321225-49	Bracket, Hood R. H.
7	5321225-48	Bracket, Hood L.H.
8	8175213-10	Screw Sltd. Hex Hd. w/PL Washer

Key No.	Part No.	Description
9	8736804-00	Nut Lock w/Insert 1/4-20 UNC
10	5321236-93	Brace, Hood
11	5321253-86	Hood
12	5321401-26	Lens, Plate, Grill
13	5321401-10	Grill
16	5321243-46	Nut, Self Thread, Washer Head 1/4
18	7341163-01	Washer 11/32 x 11/16 x 16 Ga.
19	8100404-00	Washer Lock Ext. 1/4



Key No.	Part No.	Description
1	5321299-65	Case, Battery
2	7341174-41	Washer 13/32 x 1-1/4 x 12 Ga.
3	8747806-12	Screw, Hex Wsh. Thrdrol. 3/8-16 x 3/4
4	5321241-81	Spring, Compression, Seat
5	5321271-15	Plate, Asm. Battery
6	5321095-96	Clamp, Hose
7	5321241-44	Pad, Footrest
8	8747805-12	Screw, Hex Wsh. Thrdrol. 5/16-18 x 3/4
9	5321409-19	Console, Shift Control
11	5321243-46	Nut, Self-Threading, Washer Head 3/16

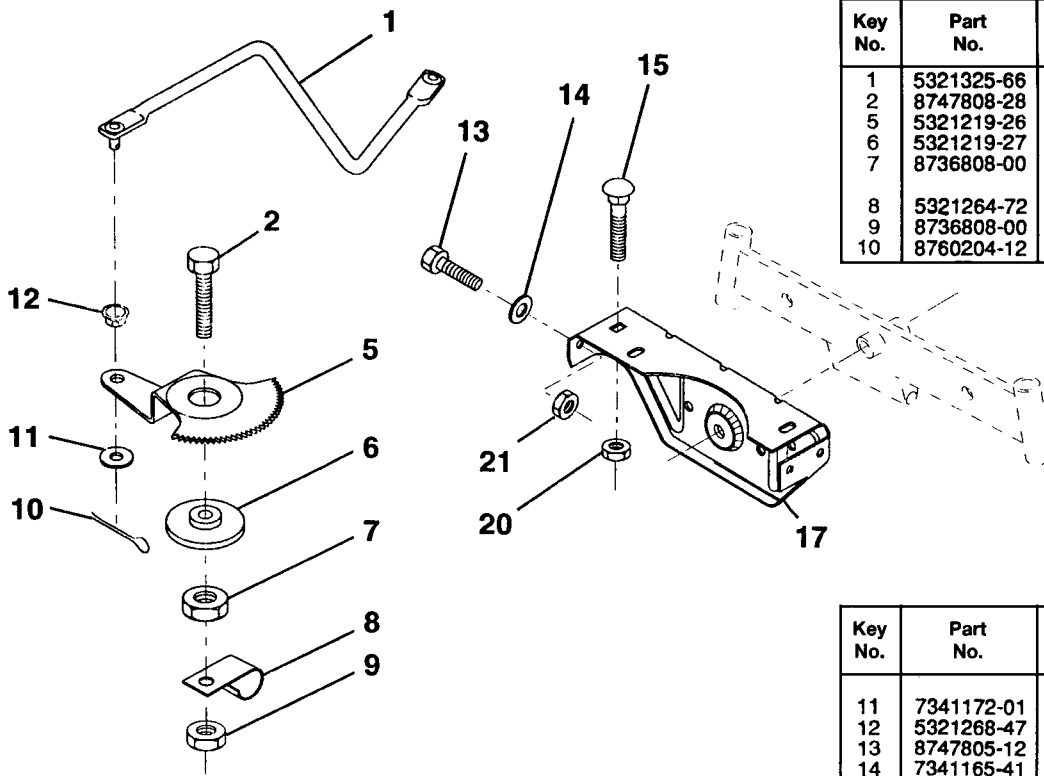
Key No.	Part No.	Description
12	5321407-84	Assembly, Frame
13	5321092-38	Tube, Battery Drain
14	8738005-00	Nut, Crownlock 5/16-18
15	8736804-00	Nut, Keps 1/4-20 UNC
16	8747805-12	Bolt, Hex Hd. 5/16-18 UNC x 3/4
17	5321407-82	Drawbar
18	5321264-70	Clip, Insulated
19	5321412-66	Fender/Footrest
20	8190914-16	Washer 9/32 x 7/8 x 13 Ga.
25	8174905-16	Screw Hex Wsh. Thdrl. 5/16-18 x 1
31	5321417-36	Switch Actuator



NOTE: All component dimensions given in U.S. inches.  
1 inch = 25.4 mm

Key No.	Part No.	Description
1	5321415-23	Cap, Fuel
2	5321383-93	Assembly, Dash & Fuel Tank
3	5321234-87	Clamp, Hose
4	5320002-95	Line, Fuel
5	5320085-44	Line, Fuel
6	8736804-00	Nut, Hex, Keps 1/4-20
7	5320027-51	Clip, Fuel Line
8	7341154-41	Washer 9/32 x 3/4 x 16 Ga.
9	8747604-28	Bolt, Hex, Fin 1/4-20 x 1-3/4
10	8190914-16	Washer 11/32 x 11/16 x 16 Ga.
11	5321212-49	Spacer, Split

Key No.	Part No.	Description
12	5320037-20	Spring
13	5321264-50	Clip, Height Adjustment
14	5321261-15	Knob, Height Stop
15	5321220-23	Adjustment, Quadrant Height
16	5321243-46	Nut, Self-Threading 3/16-18
17	8721104-04	Bolt, Carriage 1/4-20 x 1/2 Gr. 5
18	5321307-45	Support Assembly, Dash
19	5321347-44	Brace, Cross
20	8170604-08	Screw, Self-Tapping 1/4-20 x 1/2
21	5321340-14	Plug, Dome

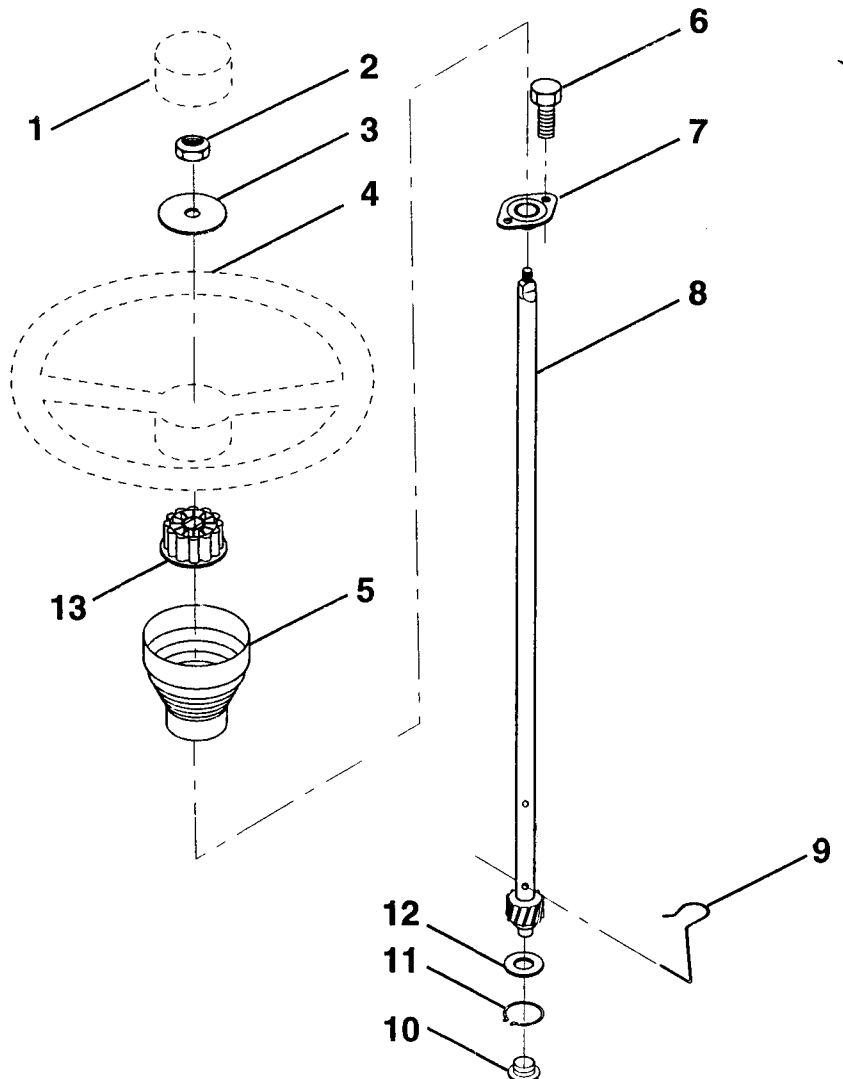


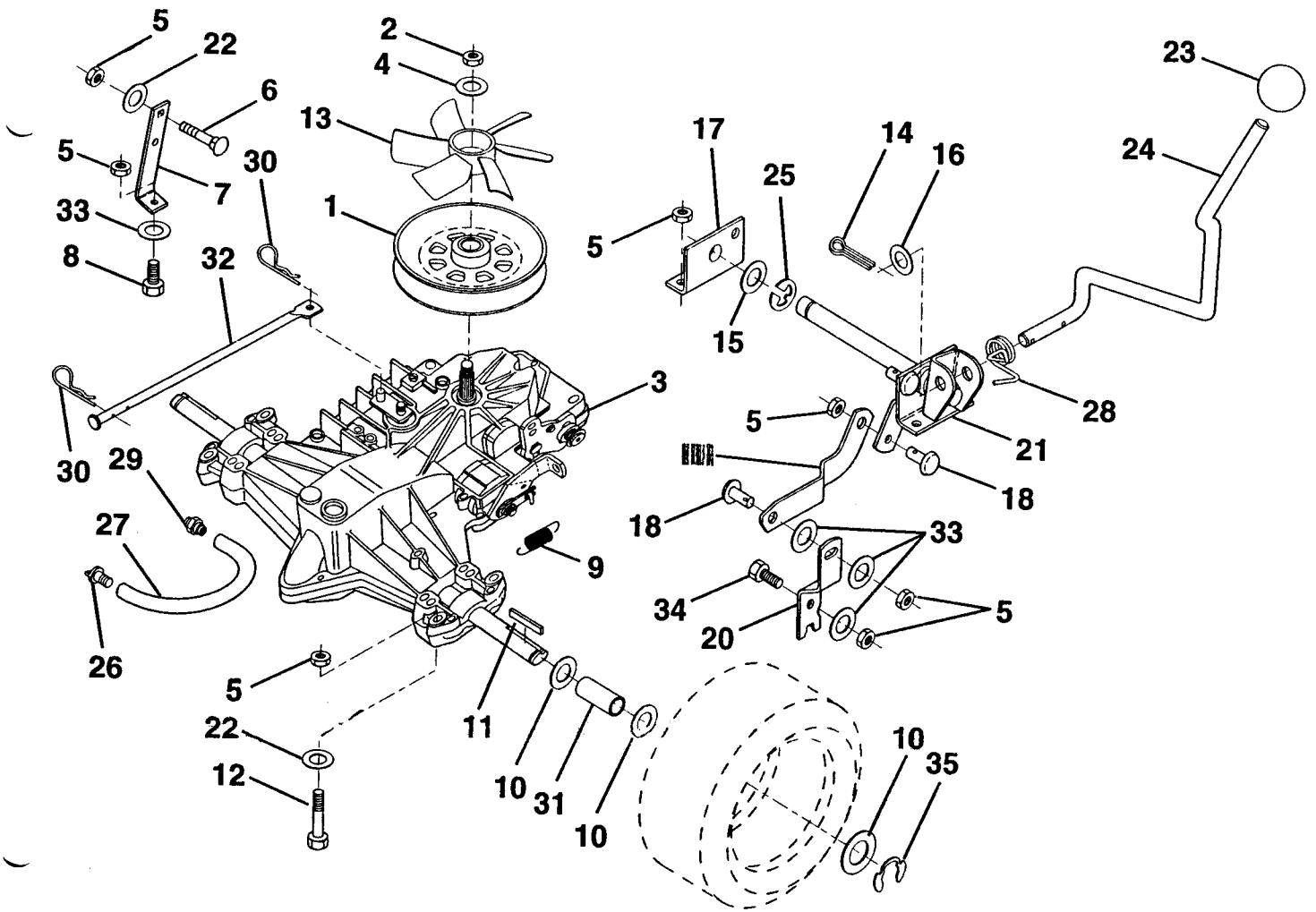
Key No.	Part No.	Description
1	5321325-66	Link, Drag
2	8747808-28	Bolt, Fin Hex 1/2-13 x 1-3/4
5	5321219-26	Gear, Sector
6	5321219-27	Bushing
7	8736808-00	Nut, Heavy Hex Top Lock 1/2-13 UNC
8	5321264-72	Clip, Insulated
9	8736808-00	Nut, Crownlock 3/8-16
10	8760204-12	Pin, Cotter 1/8 x 3/4

Key No.	Part No.	Description
11	7341172-01	Washer, 13/32 x 13/16 x 16 Ga.
12	5321268-47	Bushing
13	8747805-12	Bolt, Hex Hd. 5/16-18 UNC x 3/4
14	7341165-41	Washer 11/32 x 7/8 x 16 Ga.
15	8721406-20	Bolt RDHD SQNK 3/8 - 16 x 2-1/2 Gr. 5
17	5321370-96	Support, Front Axle
20	8738006-00	Nut, Lock Hex w/Wsh 3/8-16 UNC
21	8738005-00	Nut, Lock Hex w/Ins. 5/16-18

**NOTE:** All component dimensions given in U.S. inches.  
1 inch = 25.4 mm

Key No.	Part No.	Description
1	5321400-45	Insert, Wheel, Steering
2	8736106-00	Nut, Lock 3/8-24 UNF
3	8191338-08	Washer 12/32 x 2-3/8 x 8 Ga.
4	5321400-44	Wheel, Steering
5	5321218-97	Sleeve, Steering
6	8172110-08	Screw, Hex #10-16 x 1/2 TY-B
7	5321028-03	Bushing, Steering
8	5321236-51	Shaft, Steering
9	5321242-10	Clip, Steering
10	5321234-38	Bushing, Lower, Steering
11	8120000-45	Ring, Retaining
12	7341185-71	Washer 21/32 x 1 x 16 Ga.
13	5321048-20	Adaptor, Wheel, Steering



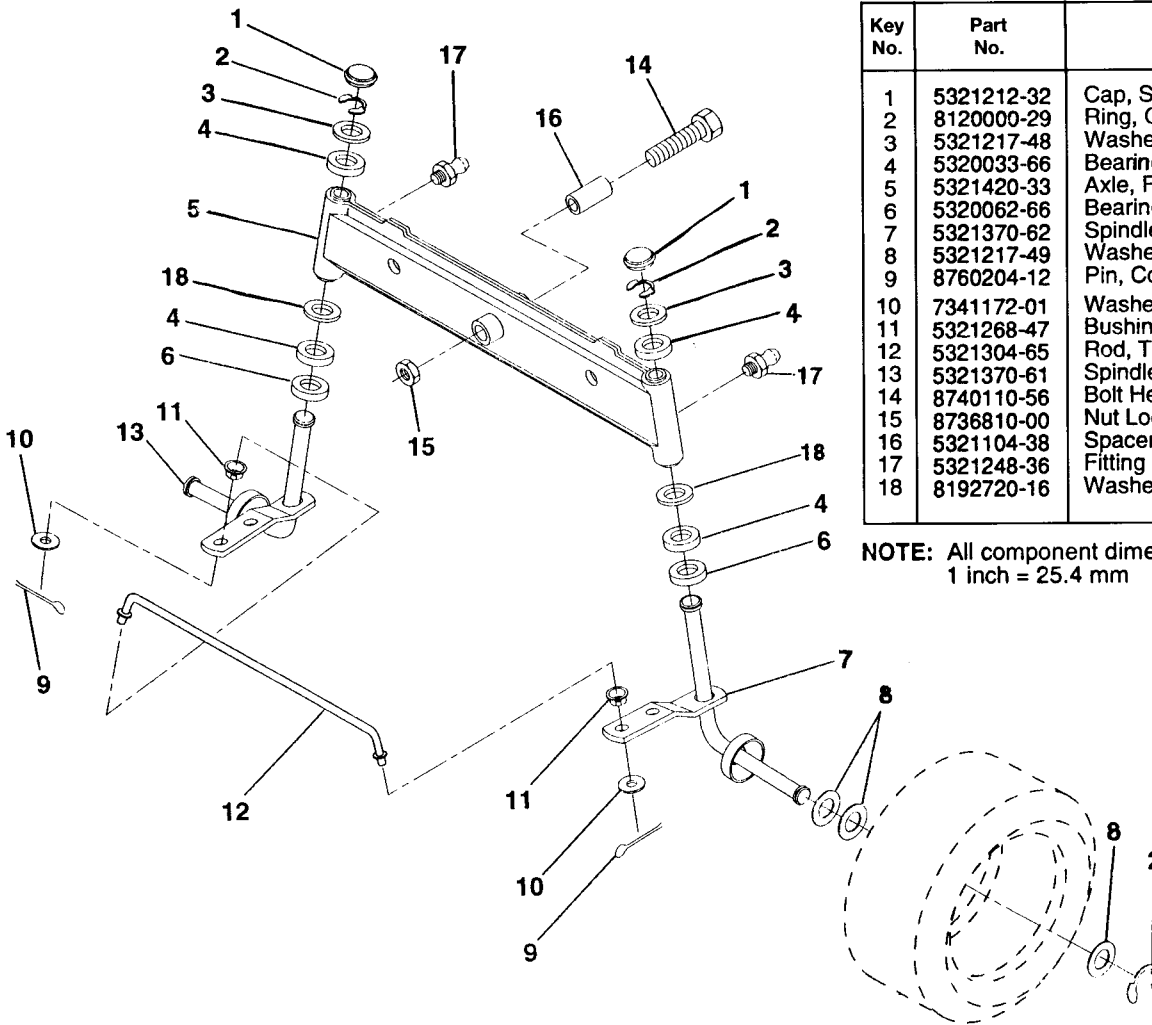


**NOTE:**

All component dimensions given in U.S. inches 1 inch = 25.4 mm

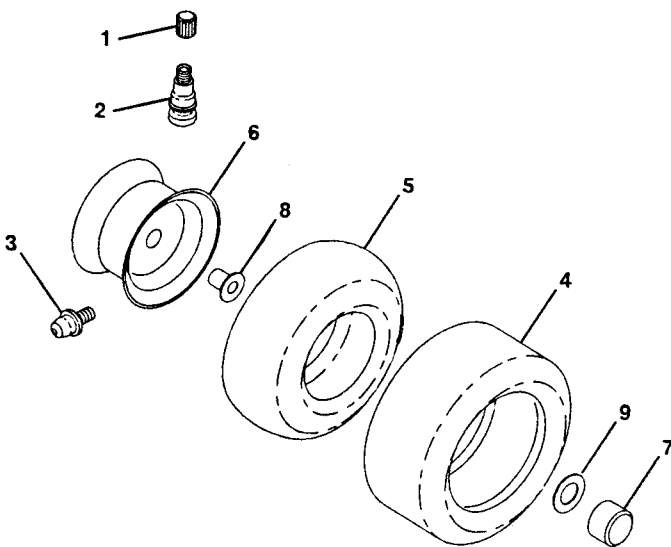
Key No.	Part No.	Description
1	5321407-79	Pulley, V-Groove
2	5320092-04	Nut
3	5321406-07	Transaxle, Hydor 0310-0500
4	8191719-12	Washer
5	8738005-00	Nut Lock Hex w/lns 5/16 - 18
6	8721405-06	Bolt RDHD SQNK 5/16 - 18 x 3/4
7	5321407-74	Strap Torque
8	8747805-24	Bolt
9	5321104-22	Spring Brake
10	5321217-49	Washer
11	5321235-83	Key Square
12	8747605-40	Bolt Hex Head
13	5321407-78	Fan Transaxle Hydro
14	8716204-16	Pin Cotter
15	7341185-71	Washer
16	7341177-71	Washer
17	5321407-63	Support, Shift Handle
18	5321407-69	Pivot Pin

Key No.	Part No.	Description
19	5321407-67	Link Shift
20	5321407-73	Lever Shift
21	5321407-64	Pivot Shaft Assembly
22	7341163-01	Washer 11/32 x 11/16 x 16 Ga.
23	5321212-74	Knob Shifter
24	5321407-65	Rob Shifter
25	8120000-02	E-Ring
26	-----	Cap Bent Hose
27	5321425-64	Hose Vent
28	5321407-72	Spring Torsion
29	-----	Nipple Vent Hose
30	5321247-88	Retainer Spring
31	5321211-99	Sacer Split
32	5321409-12	Actuator Bypass Hydro
33	7341163-01	Washer
34	8747805-16	Bolt Hex Hd 5/16 - 18 x 1
35	8120000-01	E-Ring



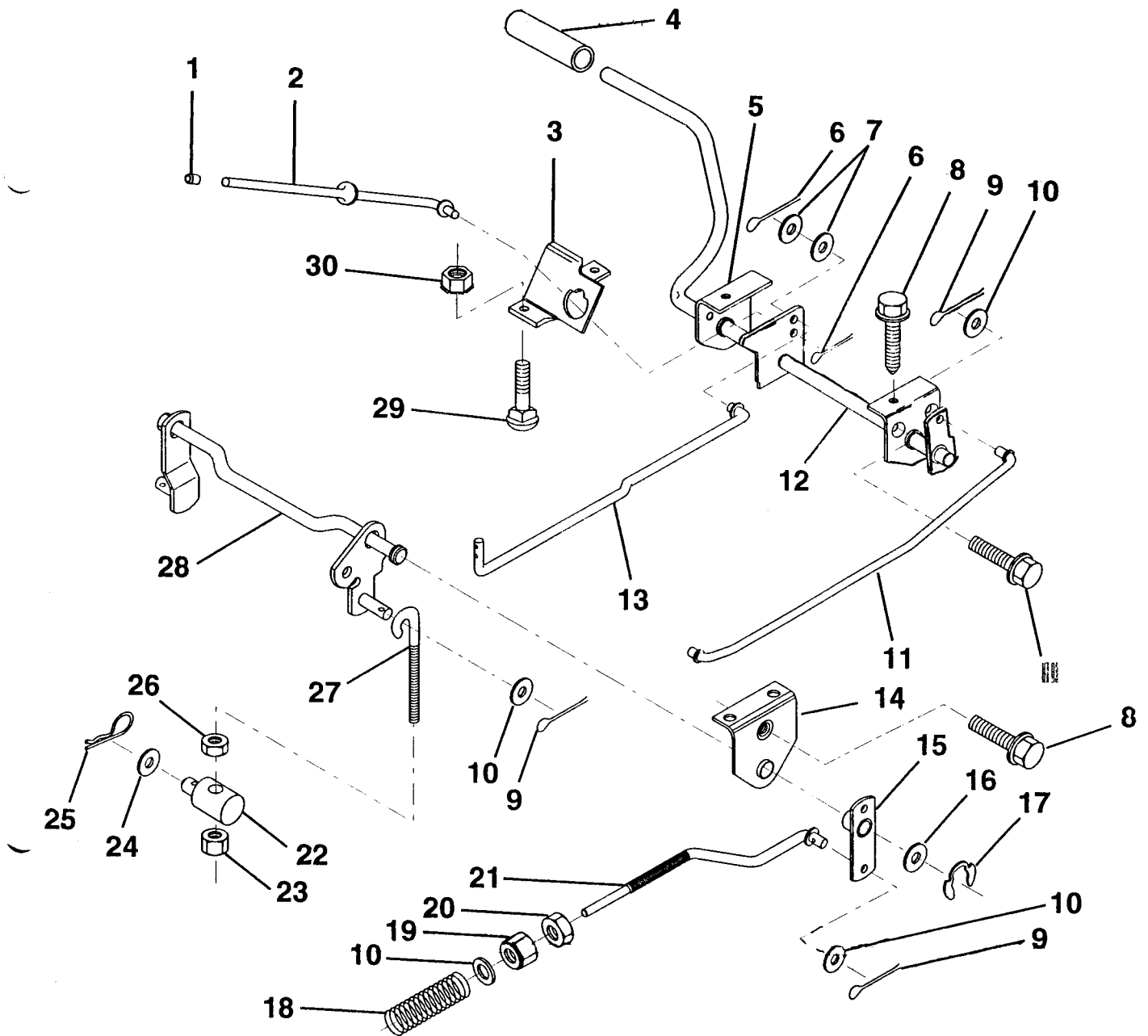
Key No.	Part No.	Description
1	5321212-32	Cap, Spindle
2	8120000-29	Ring, Clip
3	5321217-48	Washer 25/32 x 1-5/8 x 16 Ga.
4	5320033-66	Bearing Col. Strg.
5	5321420-33	Axle, Front
6	5320062-66	Bearing, Thrust
7	5321370-62	Spindle, R.H. Asm.
8	5321217-49	Washer 25/32 x 1-1/4 x 16 Ga.
9	8760204-12	Pin, Cotter 1/8 x 3/4
10	7341172-01	Washer 13/32 x 13/16 x 16 Ga.
11	5321268-47	Bushing
12	5321304-65	Rod, Tie
13	5321370-61	Spindle, L.H. Asm.
14	8740110-56	Bolt Hex 5/8-11 UNC x 3-1/2
15	8736810-00	Nut Lock Flange 5/8-11
16	5321104-38	Spacer Bearing
17	5321248-36	Fitting Grease
18	8192720-16	Washer 27/32 x 1-1/4 x 16 Ga.

NOTE: All component dimensions given in U.S. inch  
1 inch = 25.4 mm



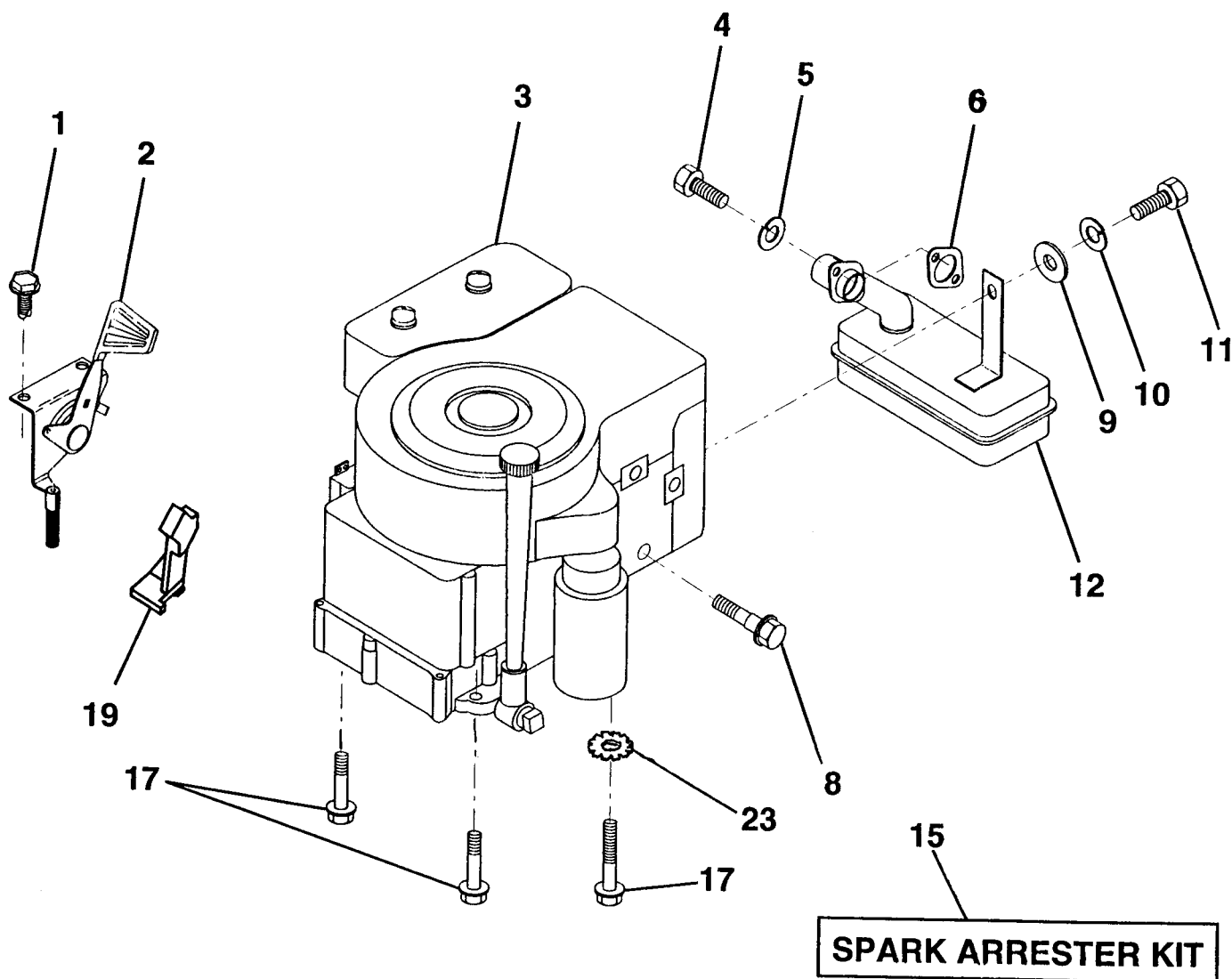
Key No.	Part No.	Description
1	5320591-92	Cap, Valve
2	5320651-39	Stem, Valve
3	5320002-78	Fitting, Grease (Front Wheels Only)
4	5321374-22	Tire, Front
4	5321234-11	Tire, Rear
5	5320599-04	Tube, Front (Optional Service Item Only)
5	5320081-34	Tube, Rear (Optional Service Item Only)
6	5321248-43	Rim, Front
6	5321248-44	Rim, Rear
7	5321047-57	Cap, Axle
8	5320090-40	Bearing, Flange
9	5321217-48	Washer 25/32 x 1-5/8 x 16 Ga.





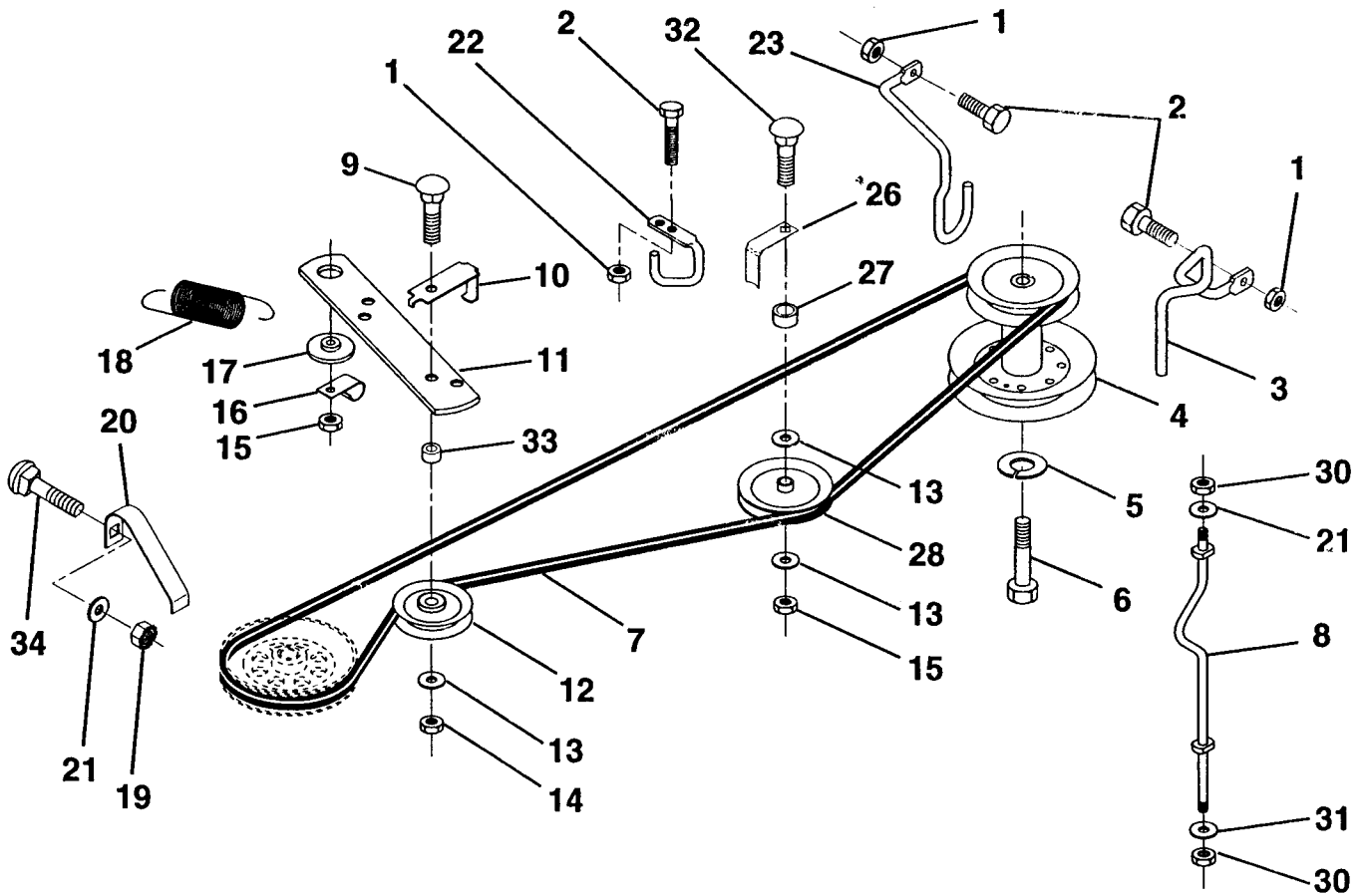
Key No.	Part No.	Description
1	5320716-73	Cap, Plunger
2	5321234-36	Rod, Parking Brake
3	5321234-37	Bracket, Parking Brake
4	5321248-72	Cover, Pedal
5	5321225-04	Bracket, Clutch Pedal, LH
6	8760203-12	Pin, Cotter 3/32 x 3/4
7	7341171-71	Washer 13/32 x 5/8 x 16 Ga.
8	8174905-08	Screw, Hex, Thd. Roll. 5/16-18 x 1/2
9	8760204-12	Pin, Cotter 1/8 x 3/4
10	7341172-01	Washer 13/32 x 13/16 x 16 Ga.
11	5321235-43	Rod, Brake Front
12	5321399-33	Assembly, Clutch/Brake Pedal
13	5321233-94	Rod, Clutch
14	5321219-78	Bracket, Lift, Shaft
15	5321236-41	Assembly, Brake, Pivot, Arm

Key No.	Part No.	Description
16	8192518-16	Washer 25/32 x 1-1/8 x 16 Ga.
17	8120000-34	Ring, Klip
18	5321068-88	Spring, Brake Rod
19	8736806-00	Locknut, Hex w/Washer Insert 3/8-16 UNC
20	8732206-00	Nut, Hex, Jam 3/8-16 UNC
21	5321444-13	Rod, Brake Hydro
22	5321273-78	Trunnion, Lift
23	8738006-00	Nut, Lock Hex w/Wsh 3/8-16 UNC
24	7341174-41	Washer 13/32 x 1-1/4 x 12 Ga.
25	5320049-21	Spring, Retainer
26	8736806-00	Nut, Centerlock 3/8-16 UNC
27	5321273-69	Link, Threaded
28	5321407-76	Assembly, Rear Mower Lift
29	8721105-06	Bolt, Carriage 5/16-18 UNC x 3/4
30	8736805-00	Nut, Keps 5/16-16 UNC



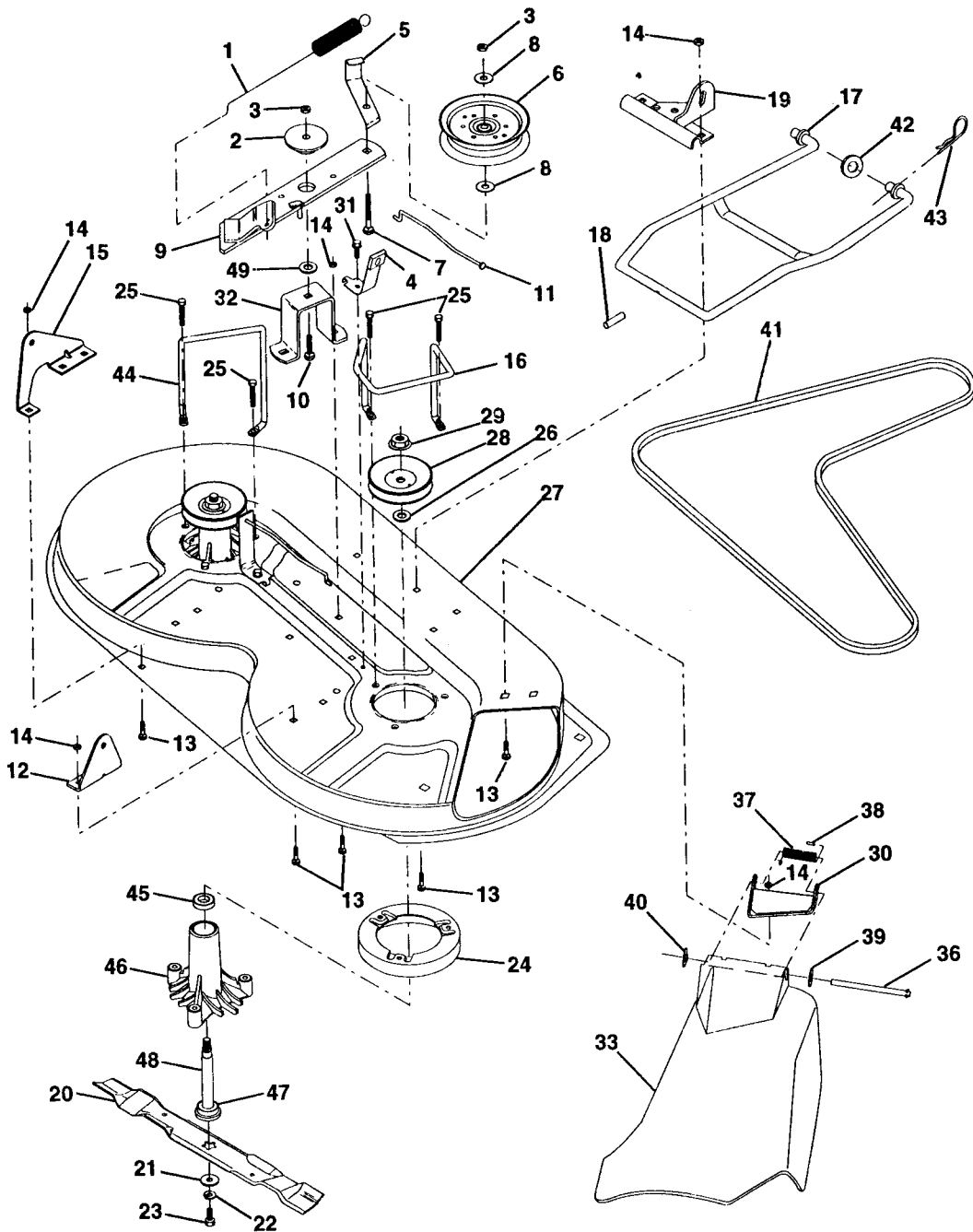
Key No.	Part No.	Description
1	8170604-08	Screw, Hex Thd. Cut 1/4-20 x 1/2
2	5321330-25	Control, Throttle
3	-----	Engine, B&S 283707
4	8710705-12	Bolt, Hex Head Phillips
5	8100405-00	Washer, Lock Heavy Helical Spring 5/16
6	5321255-93	Gasket, Exhaust
8	5321210-94	Bolt, Shoulder 5/16
9	7341154-41	Washer 5/16 x 3/4 x 16 Ga.

Key No.	Part No.	Description
10	8100404-00	Washer, Lock Hvy. Helical 1/4
11	-----	Bolt, Hex (Order From Eng. Mfg.)
12	5321374-37	Muffler
15	5321271-80	Arrester, Spark (Optional equipment)
17	8747806-24	Screw, Hex Wsh Hd Thdrol 3/8-16 x 1-1/2
19	5321279-51	Stop, Throttle
23	8100406-00	Washer Lock Ext. Tooth 3/8



Key No.	Part No.	Description
1	8738005-00	Nut, Lock Hex w/Ins 5/16-18
2	8747805-12	Bolt, Hex Hd 5/16-18 UNC x 3/4
3	5321412-97	Keeper, Belt Front Rh 36" Hydro
4	5321380-29	Pulley, Engine 36/38 LR
5	8100407-00	Washer, Lock Hvy HLCL SPR 7/16
6	8711707-44	Bolt, Fin. Hex 7/16-20 Gr. 20
7	5321409-10	V-Belt Ground Drive 77. 75 Hyd LR
8	5321407-85	Keeper, Belt Rh Hydro LR
9	8747606-36	Bolt, Carr. 3/8-16 UNC x 2-1/4
10	5321407-80	Keeper, Belt Ground Drive Idler LR
11	5321409-11	Arm, Ground Drive Clutch LR
12	5321236-74	Idler, Flat
13	7341172-01	Washer 13/32 x 13/16 x 16 Ga.
14	8739306-00	Nut, Centerlock 3/8-16 UNC
15	8738006-00	Nut, Lock Hex w/Wsh 3/8-16 UNC
16	5321264-71	Clip, Insulator 406 MTG Hole

Key No.	Part No.	Description
17	5321220-52	Spacer, Retainer PM Mower
18	5321315-49	Spring Extension
19	8738005-00	Nut, Lock Hex w/Ins. 5/16-18 UNC
20	5321409-09	Keeper, Belt Lh Hydro LR
21	7341163-01	Washer 11/32 x 11/16 x 16 Ga.
22	5321234-04	Keeper, Frame Ground Drive Belt
23	5321409-16	Keeper, Belt Lh Frnt 38/36/H/LR
26	5321409-13	Keeper Belt Idler Fixed Hyd Lr
27	5321409-14	Spacer .625 x .843 x .789
28	5321391-23	Pulley Idler V-Groove
30	8738005-00	Nut Lock Hex w/Ins 5/16 - 18 UNC
31	7341163-01	Washer 11/32 x 3/4 x 16 Ga.
32	8721406-20	Bolt RDHD SQNK
33	5320001-60	Sleeve - Pivot
34	8721105-06	Bolt Rdhd Sqnk 5/16 - 18 UNC x 3/4



Key No.	Part No.	Description
1	5321400-64	Spring, Mower Clutch
2	5321220-52	Spacer, Retainer
3	8736806-00	Nut, Lock Hex w/Wsh 3/8 - 16
4	5321308-40	Brake Asm.
5	5321312-51	Guide, Belt Idler
6	5321236-74	Pulley, Flat Idler
7	8721106-16	Bolt, Carr. 3/8-16 x 2 Gr. 5
8	7341172-01	Washer 13/21 x 7/8 x 10 Ga.
9	5321400-92	Arm Asm., Idler Mower
10	8721406-10	Bolt, Carriage 3/8-16 x 1-1/4
11	5321308-41	Rod, Brake
12	5321273-56	Bracket, Lift R.H. Rear
13	8721405-05	Bolt, Carriage 5/16-18 x 5/8
14	8738005-00	Nut, Crownlock 5/16-18
15	5321273-57	Bracket, Lift L.H. Rear
16	5321400-93	Keeper, R.H.
17	5321285-08	Link, Asm. Mower Stabilizer
18	5321285-11	Pin, Drive
19	5321273-80	Bracket, Asm. Front
20	5321401-01	Blade
21	5321402-96	Washer, Hard
22	8100406-00	Washer, Lock 3/8
23	5328508-57	Bolt 3/8-24 x 1-1/4 Gr. 8
24	5321403-29	Stripper
25	5321387-76	Screw Thdrol. Hex Head
26	5321299-63	Washer .150 Thk.

Key No.	Part No.	Description
27	5321299-83	Deck Assembly
28	5321292-07	Pulley, Mandrel
29	5321372-66	Nut, Flangelock 9/16
30	5321366-31	Bracket, Asm. Deflector
31	8174905-08	Screw, Hex Wsh. Thdrol. 5/16-18 x 1/2
32	5321220-51	Arm, Support Idler Mower
33	5321315-60	Deflector
36	5321219-80	Rod, Hinge
37	5321237-13	Spring, Torsion Deflector
38	5321053-04	Cap, Sleeve
39	7341163-01	Washer 11/32 x 5/8 x 16 Ga.
40	5321104-52	Pushnut
41	5321312-64	V-Belt
42	7341178-01	Washer 11/32 x 5/8 x 16 Ga.
43	5321246-60	Retainer, Spring
44	5321406-08	Keeper, L.H.
45	5321104-85	Bearing
46	5321287-74	Housing, Mandrel
47	5321298-95	Bearing
48	5321376-45	Shaft, Asm. Mandrel (Incl. Key #47)
--	5321307-94	Mandrel Asm. (Includes Key Nos. 21-23, 26, 29 and 45-48)
--	5321409-79	Deck, Service Complete
49	5321339-43	Washer, Hardened